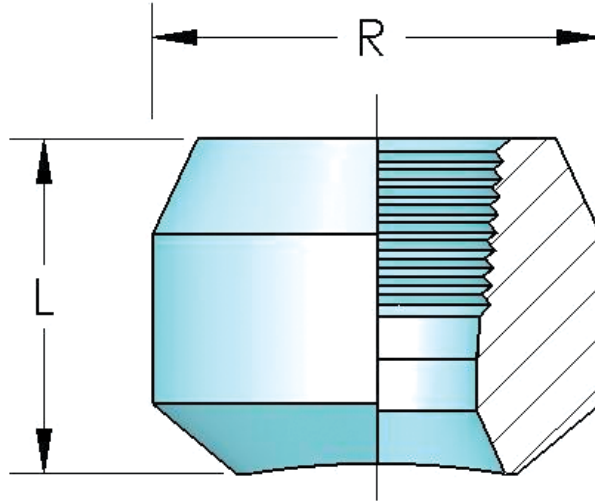


THREDOLET SERİ 3000 Lb. - 6000 Lb.
Thredolet Class 3000 Lb. - 6000 Lb.



Diş standardı ANSI B 1.20.1-1983
Thread according to ANSI B 1.20.1-1983

Ölçü standardı ANSI B 16-11-1980
Dimensions according to ANSI B 16-11-1980

SPEC SIZE	3000				6000			
	L		R		L		R	
	mm	inches	mm	inches	mm	inches	mm	inches
1/4"	22	0,87	25	0,98	29	1,14	30	1,18
3/8"	26	1,02	32	1,26	34	1,34	40	1,57
1/2"	30	1,18	40	1,57	39	1,54	50	1,97
3/4"	32	1,26	45	1,77	42	1,65	55	2,16
1"	35	1,38	55	2,16	46	1,81	70	2,76
1 1/4"	40	1,57	65	2,56	52	2,05	80	3,15
1 1/2"	45	1,77	75	2,95	59	2,32	90	3,54
2"	54	2,13	90	3,54	70	2,76	110	4,33