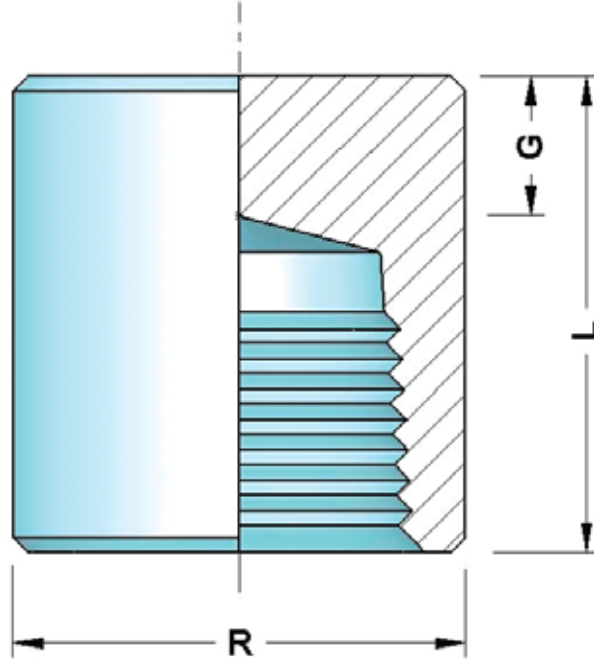


KEP NPT SERİ 3000 Lb. - 6000 Lb.
Caps NPT Class 3000 Lb. - 6000 Lb.

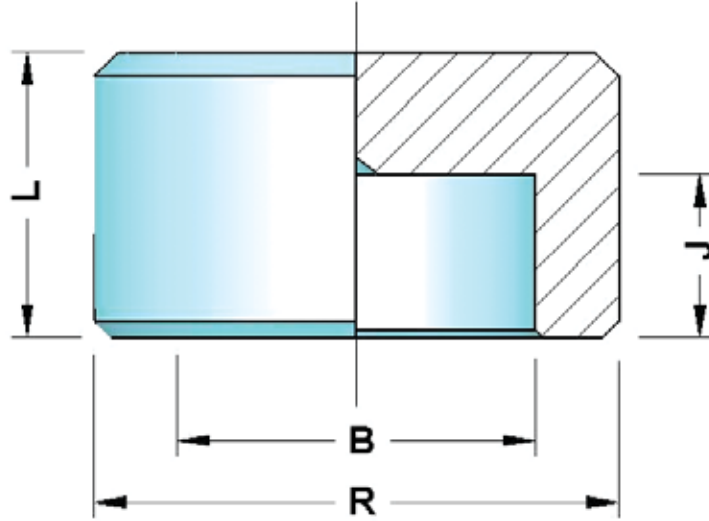


Diş standardı ANSI B 1.20.1-1983
Thread according to ANSI B 1.20.1-1983

Ölçü standardı ANSI B 16-11-1980
Dimensions according to ANSI B 16-11-1980

| SPEC SIZE | 3000 | | | | | | 6000 | | | | | |
|--------------|------|--------|-----|--------|--------|--------|------|--------|-----|--------|--------|--------|
| | L | | R | | G min. | | L | | R | | G min. | |
| | mm | inches | mm | inches | mm | inches | mm | inches | mm | inches | mm | inches |
| 1/8" | 19 | 0,74 | 16 | 0,63 | 4,5 | 0,17 | - | - | - | - | - | - |
| 1/4" | 24 | 0,94 | 20 | 0,79 | 5 | 0,19 | 27 | 1,06 | 25 | 0,94 | 6,5 | 0,25 |
| 3/8" | 26 | 1,02 | 22 | 0,87 | 5 | 0,19 | 27 | 1,06 | 32 | 1,25 | 6,5 | 0,25 |
| 1/2" | 32 | 1,25 | 30 | 1,18 | 6,5 | 0,25 | 33 | 1,30 | 40 | 1,57 | 8 | 0,31 |
| 3/4" | 37 | 1,45 | 35 | 1,38 | 6,5 | 0,25 | 38 | 1,50 | 45 | 1,77 | 8 | 0,31 |
| 1" | 41 | 1,62 | 45 | 1,77 | 9,5 | 0,38 | 43 | 1,69 | 60 | 2,36 | 11 | 0,44 |
| 1 1/4" | 43 | 1,70 | 55 | 2,17 | 9,5 | 0,38 | 46 | 1,81 | 65 | 2,55 | 11 | 0,44 |
| 1 1/2" | 45 | 1,77 | 65 | 2,56 | 11 | 0,44 | 48 | 1,89 | 76 | 2,99 | 12,5 | 0,50 |
| 2" | 48 | 1,89 | 76 | 2,99 | 13 | 0,51 | 51 | 2,00 | 95 | 3,74 | 16 | 0,63 |
| 2 1/2" | 60 | 2,36 | 95 | 3,74 | 16 | 0,63 | 64 | 2,51 | 110 | 4,33 | 19 | 0,75 |
| 3" | 66 | 2,60 | 110 | 4,33 | 19 | 0,74 | 68 | 2,68 | 130 | 5,11 | 22 | 0,87 |
| 4" | 68 | 2,68 | 140 | 5,51 | 22 | 0,87 | 75 | 2,95 | 160 | 6,30 | 28,5 | 1,12 |

KEP SW SERİ 3000 Lb. - 6000 Lb.
Caps SW Class 3000 Lb. - 6000 Lb.



İmalat ve soket ölçü standardı ANSI B 16-11-1980
Socket welding end and dimensions according to ANSI B 16-11-1980

| SPEC SIZE | 3000 | | | | 6000 | | | |
|--------------|------|--------|-----|--------|------|--------|-----|--------|
| | L | | R | | L | | R | |
| | mm | inches | mm | inches | mm | inches | mm | inches |
| 1/8" | 15,0 | 0,59 | 18 | 0,70 | 17 | 0,67 | 20 | 0,78 |
| 1/4" | 16,0 | 0,63 | 22 | 0,87 | 18 | 0,70 | 25 | 0,98 |
| 3/8" | 16,0 | 0,63 | 26 | 1,02 | 18 | 0,70 | 28 | 1,10 |
| 1/2" | 17,5 | 0,69 | 32 | 1,26 | 20 | 0,31 | 35 | 1,38 |
| 3/4" | 22,5 | 0,89 | 38 | 1,50 | 25 | 0,98 | 45 | 1,77 |
| 1" | 25,0 | 0,99 | 45 | 1,77 | 27 | 1,06 | 50 | 1,97 |
| 1 1/4" | 26,5 | 1,04 | 55 | 2,17 | 28 | 1,10 | 60 | 2,36 |
| 1 1/2" | 28,0 | 1,10 | 65 | 2,56 | 30 | 1,18 | 70 | 2,76 |
| 2" | 34,0 | 1,33 | 75 | 2,95 | 38 | 1,50 | 85 | 3,35 |
| 2 1/2" | 37,0 | 1,46 | 90 | 3,54 | 40 | 1,57 | 100 | 3,94 |
| 3" | 41,0 | 1,61 | 110 | 4,33 | 44 | 1,73 | 120 | 4,72 |
| 4" | 56,0 | 2,2 | 140 | 5,51 | 63 | 2,48 | 150 | 5,91 |