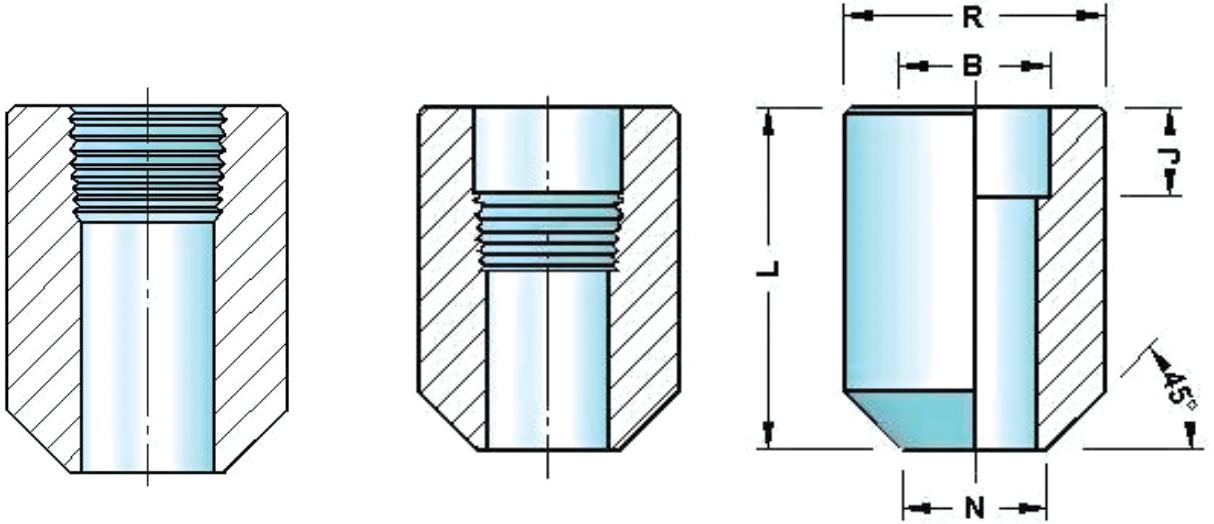


DİŞLİ - SW-KOMBİNE BOSS SERİ 3000 Lb. - 6000 Lb.
Threaded - SW Combined Welding Bosses Class 3000 Lb. - 6000 Lb.



İmalat ve soket ölçü standardı ANSI B 16-11-1980
Socket welding end and dimensions according to ANSI B 16-11-1980

SPEC SIZE	3000 - 6000					
	L		R		N	
	mm	inches	mm	inches	mm	inches
1/4"	30,5	1,20	28,0	1,10	14,0	0,55
3/8"	30,5	1,20	32,0	1,26	17,4	0,69
1/2"	50,0	1,96	38,0	1,50	21,0	0,82
3/4"	50,0	1,96	45,0	1,77	27,0	1,06
1"	50,0	1,96	50,0	1,96	33,0	1,30
1 1/4"	50,0	1,96	60,0	2,36	40,0	1,57
1 1/2"	50,0	1,96	70,0	2,75	47,0	1,85
2"	50,0	1,96	85,0	3,34	59,0	2,32