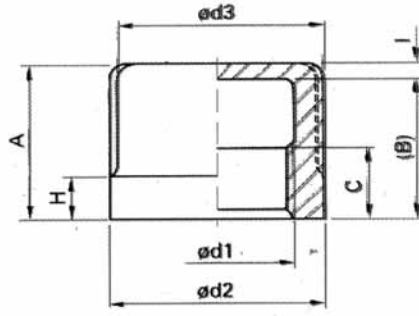
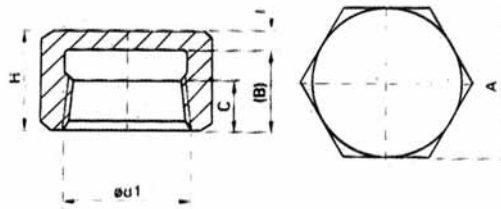


PASLANMAZ DIŐLİ KEP 150 Lb. Stainless Steel Thaded Round Caps ANSI B 16.3 150 Lb. (BSPT - NPT)



SIZE SPEC.	1/8"	1/4"	3/8"	1/2"	3/4"	1"	1 1/4"	1 1/2"	2"	2 1/2"	3"	4"
d1	1/8"	1/4"	3/8"	1/2"	3/4"	1"	1 1/4"	1 1/2"	2"	2 1/2"	3"	4"
d2	16.0	20.0	25.5	30.0	36.0	44.5	53.0	60.0	74.0	91.0	110.0	139.0
d3	13.5	18.0	23.5	28.0	33.0	41.5	50.0	57.0	70.0	86.0	104.0	133.0
A	15.0	22.0	24.5	28.0	28.0	32.0	32.5	36.0	39.0	43.0	47.5	51.0
C	6.2	9.4	9.7	10.0	12.0	15.0	18.0	18.0	18.0	22.0	23.0	25.0
H	6.5	6.5	7.5	7.5	8.5	9.0	10.0	11.0	12.0	14.0	14.0	15.0
I	3.0	3.0	2.5	3.0	3.0	3.0	4.0	5.0	5.0	6.0	6.0	6.0
B	12.0	19.0	22.0	25.0	25.0	29.0	28.5	31.0	34.0	37.0	41.5	45.0

PASLANMAZ ALTI KÖŐE ANAHTAR AŐIZLI DIŐLİ KEP Stainless Steel Hex Caps



SIZE SPEC.	1/8"	1/4"	3/8"	1/2"	3/4"	1"	1 1/4"	1 1/2"	2"	2 1/2"	3"	4"
A	16.0	18.0	20.0	26.0	32.0	39.0	49.0	55.0	66.0	85.0	100.0	125.0
d1	1/8"	1/4"	3/8"	1/2"	3/4"	1"	1 1/4"	1 1/2"	2"	2 1/2"	3"	4"
C	6.2	9.4	9.7	10.0	11.0	15.0	17.5	18.0	19.0	22.0	24.0	26.0
H	16.0	20.0	21.0	22.5	23.0	26.0	28.5	32.0	35.0	42.0	45.5	55.0
I	3.0	3.0	3.0	3.0	3.0	3.0	4.0	4.0	3.0	6.0	6.0	6.0
(B)	13.0	17.0	18.0	19.5	20.0	23.0	24.5	28.0	32.0	36.0	39.5	49.0