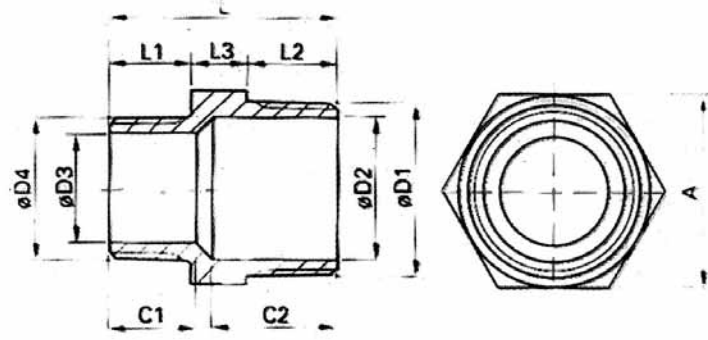


PASLANMAZ ALTI KÖŞE ANAHTAR AĞIZLI REDÜKSİYON NİPEL

Stainless Steel Reducing Hex Nipple

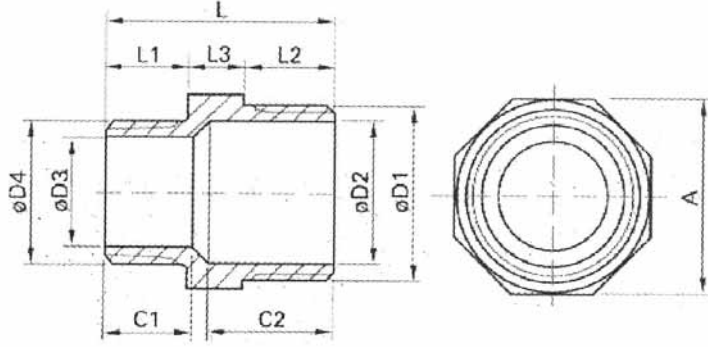


SIZE SPEC.	1/4"x1/8"	3/8"x1/8"	3/8"x1/4"	1/2"x1/8"	1/2"x1/4"	1/2"x3/8"	3/4"x1/8"	3/4"x1/4"	3/4"x3/8"	3/4"x1/2"	1"x1/4"	1"x3/8"	1"x1/2"
A	17.0	21.0	21.0	26.0	26.0	26.0	32.0	32.0	32.0	32.0	38.0	38.0	38.0
D1	1.4"	3/8	3/8	1/2	1/2	1/2	3/4	3/4	3/4	3/4	1"	1"	1"
D2	8.5	10.5	10.5	14.5	14.5	14.5	20.0	20.0	20.0	20.0	25.5	25.5	25.5
D3	5.0	5.0	8.5	5.0	8.5	10.5	5.0	8.5	10.5	14.5	8.5	10.5	14.5
D4	3.2	3.2	6.4	3.2	6.4	9.5	3.2	6.4	9.5	12.7	6.4	9.5	12.7
C1	12.0	11.0	14.0	11.0	14.0	15.0	12.0	13.0	13.0	17.0	15.0	15.0	18.0
C2	18.0	21.0	20.0	21.0	22.0	22.0	27.0	26.0	25.0	25.0	28.0	28.0	28.0
L	31.5	35.0	35.0	39.0	39.0	39.0	41.0	42.0	42.0	45.0	45.0	45.0	48.0
L1	11.0	12.0	12.0	12.0	12.0	13.0	10.5	11.5	11.5	14.5	13.5	13.0	16.0
L2	12.0	13.0	13.0	17.0	17.0	16.0	19.0	19.0	19.0	19.0	20.0	20.0	20.0
L3	8.5	10.0	10.0	10.0	10.0	10.0	11.5	11.5	11.5	11.5	12.0	12.0	12.0

SIZE SPEC.	1"x3/4"	1 1/4"x1/4"	1 1/4"x3/8"	1 1/4"x1/2"	1 1/4"x3/4"	1 1/4"x1"	1 1/2"x1/4"	1 1/2"x3/8"	1 1/2"x1/2"	1 1/2"x3/4"	1 1/2"x1"	1 1/2"x1 1/4"
A	38.0	46.0	46.0	46.0	46.0	46.0	54.0	54.0	54.0	54.0	54.0	54.0
D1	1"	1 1/4"	1 1/4"	1 1/4"	1 1/4"	1 1/4"	1 1/2"	1 1/2"	1 1/2"	1 1/2"	1 1/2"	1 1/2"
D2	25.5	34.0	34.0	34.0	34.0	34.0	39.0	39.0	39.0	39.0	39.0	39.0
D3	20.0	8.5	10.5	14.5	20.0	25.5	8.5	10.5	14.5	20.0	25.5	34.0
D4	3/4	1/4	3/8	1/2"	3/4"	1"	1/4"	3/8"	1/2"	3/4"	1"	1 1/4"
C1	19.00	15.0	18.0	18.0	19.0	22.0	15.0	15.0	15.0	19.0	22.0	26.0
C2	29.00	29.0	30.0	30.0	32.0	29.0	31.0	31.0	32.0	31.0	29.0	29.0
L	51.0	47.0	49.0	51.0	55.0	54.0	48.0	48.0	50.0	53.0	54.0	58.0
L1	19.0	14.0	14.0	17.0	19.0	20.0	12.5	12.5	14.5	17.5	19.5	22.5
L2	20.0	21.0	23.0	22.0	24.0	22.0	22.5	22.5	22.5	22.5	21.5	22.5
L3	12.0	12.0	12.0	12.0	12.0	12.0	13.0	13.0	13.0	13.0	13.0	13.0

PASLANMAZ ALTI KÖŞE ANAHTAR AĞIZLI REDÜKSİYON NİPEL

Stainless Steel Reducing Hex Nipple



SIZE SPEC.	2"x1/4"	2"x3/8"	2"x1/2"	2"x3/4"	2"x1"	2"x1 1/4"	2"x1 1/2"	2 1/2"x1/2"	2 1/2"x3/4"	2 1/2"x1"	2 1/2"x1 1/4"	2 1/2"x1 1/2"	2 1/2"x2"	3"x1/2"
A	63.0	63.0	63.0	63.0	63.0	63.0	63.0	80.0	80.0	80.0	80.0	80.0	80.0	95.0
D1	2"	2"	2"	2"	2"	2"	2"	2 1/2"	2 1/2"	2 1/2"	2 1/2"	2 1/2"	2 1/2"	3"
D2	51.0	51.0	51.0	51.0	51.0	51.0	51.0	64.0	64.0	64.0	64.0	64.0	64.0	76.0
D3	8.5	10.5	14.5	20.0	25.5	34.0	39.0	14.5	20.0	25.5	34.0	39.0	51.0	14.5
D4	1/4"	3/8"	1/2"	3/4"	1"	1 1/4"	1 1/2"	1/2"	3/4"	1"	1 1/4"	1 1/2"	2"	1/2"
C1	16.0	17.0	18.0	20.0	22.0	23.0	24.0	20.0	22.0	24.0	26.0	27.0	28.0	21.0
C2	37.0	37.0	37.0	36.0	36.0	37.0	37.0	39.0	38.0	38.0	37.0	38.0	37.0	42.0
L	55.0	57.0	58.0	60.0	62.0	63.0	65.0	62.0	63.0	65.0	67.0	68.0	69.0	66.0
L1	13.0	15.0	17.0	18.0	20.0	21.0	23.0	16.0	18.0	20.0	22.0	23.0	25.0	16.0
L2	26.0	26.0	25.0	26.0	26.0	26.0	26.0	30.0	29.0	29.0	29.0	29.0	28.0	33.0
L3	16.0	16.0	16.0	16.0	16.0	16.0	16.0	16.0	16.0	16.0	16.0	16.0	16.0	17.0

SIZE SPEC.	3"x3/4"	3"x1"	3"x1 1/4"	3"x1 1/2"	3"x2"	3"x2 1/2"	4"x3/4"	4"x1"	4"x1 1/4"	4"x1 1/2"	4"x2"	4"x2 1/2"	4"x3"
A	95.0	95.0	95.0	95.0	95.0	95.0	120.0	120	120.0	120.0	120.0	120.0	120.0
D1	3"	3"	3"	3"	3"	3"	4"	4"	4"	4"	4"	4"	4"
D2	76.0	76.0	76.0	76.0	76.0	76.0	102.0	102.0	102.0	102.0	102.0	102.0	102.0
D3	20.0	25.5	34.0	39.0	51.0	64.0	20.0	25.5	34.0	39.0	51.0	64.0	76.0
D4	3/4"	1"	1 1/4"	1 1/2"	2"	2 1/2"	3/4"	1"	1 1/4"	1 1/2"	2"	2 1/2"	3"
C1	22.0	24.0	26.0	27.0	29.0	31.0	22.0	25.0	25.0	30.0	29.0	29.0	36.0
C2	43.0	43.0	43.0	43.0	43.0	43.0	48.0	48.0	48.0	48.0	48.0	48.0	48.0
L	68.0	70.0	72.0	73.0	75.0	77.0	73.0	75.0	76.0	81.0	80.0	83.0	87.0
L1	18.0	20.0	22.0	23.0	25.0	27.0	18.0	20.0	21.0	26.0	25.0	28.0	32.0
L2	33.0	33.0	33.0	33.0	33.0	33.0	38.0	38.0	38.0	38.0	38.0	38.0	38.0
L3	17.0	17.0	17.0	17.0	17.0	17.0	17.0	17.0	17.0	17.0	17.0	17.0	17.0