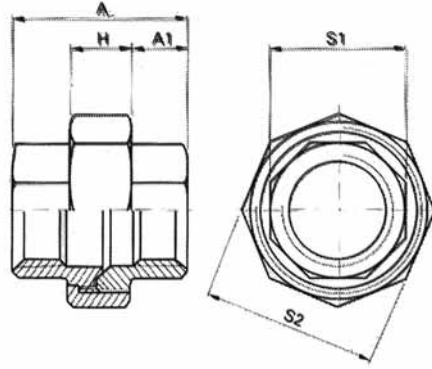


## PASLANMAZ DIŞLİ KONİK RAKOR 150 Lb. (F/F)

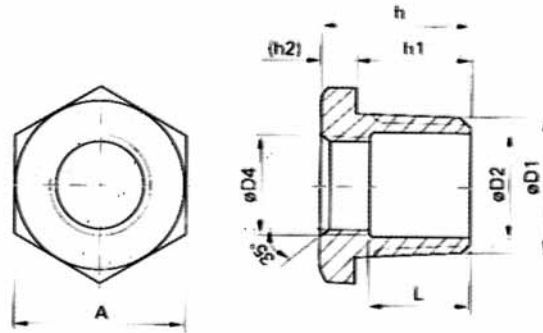
### Stainless Steel Threaded Unions (BSPT - NPT)



SIZE SPEC.	1/8"	1/4"	3/8"	1/2"	3/4"	1"	1 1/4"	1 1/2"	2"	2 1/2"	3"	4"
A+1.5	37	37	39	41	42	51	52	56	60	75	89	99
A1±0.5	12	12	12	13	16	17	16	18	18	26	30	32
H±0.5	15	15	16	15	16	18	21	22	25	25	29	34
S1±1.0	18	18	23	27	32	41	50	56	69	85	99	125
S2±1.0	29	29	36	41	49	58	68	77	92	109	125	156

## PASLANMAZ ALTI KÖŞE ANAHTAR AĞIZLI BUSHING REDÜKSİYON

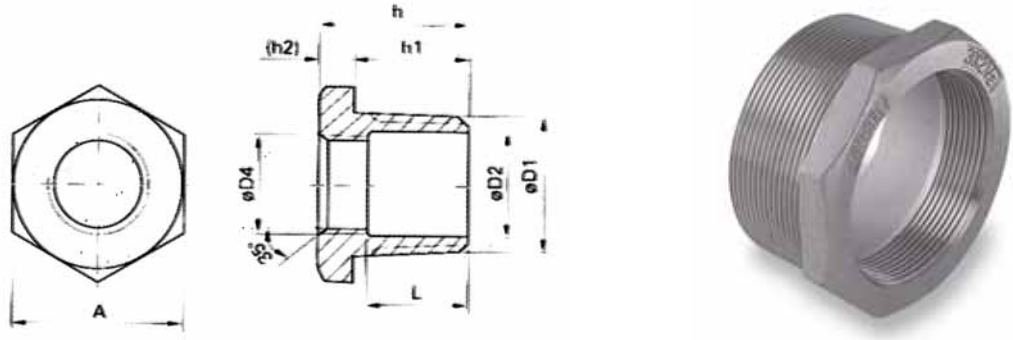
### Stainless Steel Hex Bushings



SIZE SPEC.	1/4"x1/8"	3/8"x1/8"	3/8"x1/4"	1/2"x1/8"	1/2"x1/4"	1/2"x3/8"	3/4"x1/8"	3/4"x1/4"	3/4"x3/8"	3/4"x1/2"	1"x1/8"	1"x1/4"	1"x3/8"	1"x1/2"	1"x3/4"
A	17.0	22.0	22.0	26.0	26.0	26.0	32.0	32.0	32.0	32.0	38.0	38.0	38.0	38.0	38.0
L	15.0	15.0	-	17.0	17.0	-	17.5	17.5	17.5	-	24.5	24.5	24.5	22.0	20.5
D1	1/4"	3/8"	3/8"	1/2"	1/2"	1/2"	3/4"	3/4"	3/4"	3/4"	1"	1"	1"	1"	1"
D2	8.5	11.0	11.0	14.5	14.5	14.5	18.0	18.0	18.0	18.0	26.0	26.0	26.0	26.0	26.0
D4	1/8"	1/8"	1/4"	1/8"	1/4"	3/8"	1/8"	1/4"	3/8"	1/2"	1/8"	1/4"	3/8"	1/2"	3/4"
h	22.5	23.0	23.0	25.5	25.5	25.5	26.5	26.5	26.5	26.5	33.5	33.5	33.5	33.5	33.5
h1	17.0	17.0	17.0	20.0	20.0	20.0	20.0	20.0	20.0	20.0	25.5	25.5	25.5	25.5	25.5
(h2)	5.5	6.0	6.0	5.5	5.5	5.5	6.5	6.5	6.5	6.5	8.0	8.0	8.0	8.0	8.0

# PASLANMAZ ALTI KÖŞE ANAHTAR AĞIZLI BUSHING REDÜKSİYON

## Stainless Steel Hex Bushings

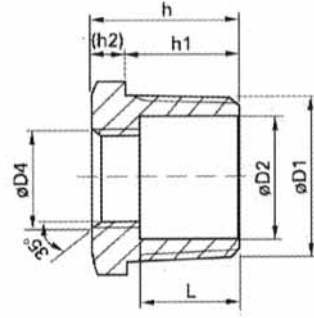
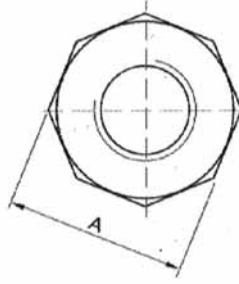


SIZE SPEC.	1 1/4"x1/8"	1 1/4"x1/4"	1 1/4"x3/8"	1 1/4"x1/2"	1 1/4"x3/4"	1 1/4"x1"	1 1/2"x1/8"	1 1/2"x1/4"	1 1/2"x3/8"	1 1/2"x1/2"	1 1/2"x3/4"
A	46.0	46.0	46.0	46.0	46.0	46.0	52.0	52.0	52.0	52.0	52.0
L	26.0	24.5	24.5	23.0	21.0	19.5	27.0	27.0	26.0	24.0	23.0
D1	1 1/4"	1 1/4"	1 1/4"	1 1/4"	1 1/4"	1 1/4"	1 1/2"	1 1/2"	1 1/2"	1 1/2"	1 1/2"
D2	35.0	35.0	35.0	35.0	35.0	35.0	40.0	40.0	40.0	40.0	40.0
D4	1/8"	1/4"	3/8"	1/2"	3/4"	1"	1/8"	1/4"	3/8"	1/2"	3/4"
h	34.0	34.0	34.0	34.0	34.0	34.0	36.0	36.0	36.0	36.0	36.0
h1	26.0	26.0	26.0	26.0	26.0	26.0	26.0	26.0	26.0	26.0	26.0
(h2)	8.0	8.0	8.0	8.0	8.0	8.0	10.0	10.0	10.0	10.0	10.0

SIZE SPEC.	1 1/2"x1"	1 1/2"x1 1/4"	2"x1/8"	2"x1/4"	2"x3/8"	2"x1/2"	2"x3/4"	2"x1"	2"x1 1/4"	2"x1 1/2"
A	52.0	52.0	63.0	63.0	63.0	63.0	63.0	63.0	63.0	63.0
L	21.0	18.5	28.0	27.0	27.0	25.0	23.0	22.0	20.0	20.0
D1	1 1/2"	1 1/2"	2"	2"	2"	2"	2"	2"	2"	2"
D2	40.0	40.0	51.0	51.0	51.0	51.0	51.0	51.0	51.0	51.0
D4	1"	1 1/4"	1/8"	1/4"	3/8"	1/2"	3/4"	1"	1 1/4"	1 1/2"
h	36.0	36.0	36.0	36.0	36.0	36.0	36.0	36.0	36.0	36.0
h1	26.0	26.0	25.5	25.5	25.5	25.5	25.5	25.5	25.5	25.5
(h2)	10.0	10.0	10.5	10.5	10.5	10.5	10.5	10.5	10.5	10.5

# PASLANMAZ ALTI KÖŞE ANAHTAR AĞIZLI BUSHING REDÜKSİYON

## Stainless Steel Hex Bushings



SIZE SPEC.	2 1/2"x1/2"	2 1/2"x3/4"	2 1/2"x1"	2 1/2"x1 1/4"	2 1/2"x1 1/2"	2 1/2"x2"	3"x1/2"	3"x3/4"	3"x1"	3"x1 1/4"	3"x1 1/2"
A	80.0	80.0	80.0	80.0	80.0	80.0	95.0	95.0	95.0	95.0	95.0
L	38.5	36.5	34.5	31.5	30.0	29.0	39.0	37.0	35.0	32.0	31.0
D1	2 1/2"	2 1/2"	2 1/2"	2 1/2"	2 1/2"	2 1/2"	3"	3"	3"	3"	3"
D2	63.0	63.0	63.0	63.0	63.0	63.0	77.0	77.0	77.0	77.0	77.0
D4	1/2"	3/4"	1"	1 1/4"	1 1/2"	2"	1/2"	3/4"	1"	1 1/4"	1 1/2"
h	49.0	49.0	49.0	49.0	49.0	49.0	50.0	50.0	50.0	50.0	50.0
h1	37.0	37.0	37.0	37.0	37.0	37.0	37.0	37.0	37.0	37.0	37.0
(h2)	12.0	12.0	12.0	12.0	12.0	12.0	13.0	13.0	13.0	13.0	13.0

SIZE SPEC.	3"x2"	3"x2 1/2"	4"x1/2"	4"x3/4"	4"x1"	4"x1 1/4"	4"x1 1/2"	4"x2"	4"x2 1/2"	4"x3"
A	95.0	95.0	120.0	120.0	120.0	120.0	120.0	120.0	120.0	120.0
L	30.0	26.0	40.0	38.5	36.0	33.5	32.0	31.0	28.0	26.0
D1	3"	3"	4"	4"	4"	4"	4"	4"	4"	4"
D2	77.0	77.0	101.0	101.0	101.0	101.0	101.0	101.0	101.0	101.0
D4	2"	2 1/2"	1/2"	3/4"	1"	1 1/4"	1 1/2"	2"	2 1/2"	3"
h	50.0	50.0	51.0	51.0	51.0	51.0	51.0	51.0	51.0	51.0
h1	37.0	37.0	37.0	37.0	37.0	37.0	37.0	37.0	37.0	37.0
(h2)	13.0	13.0	13.0	14.0	14.0	14.0	14.0	14.0	14.0	14.0