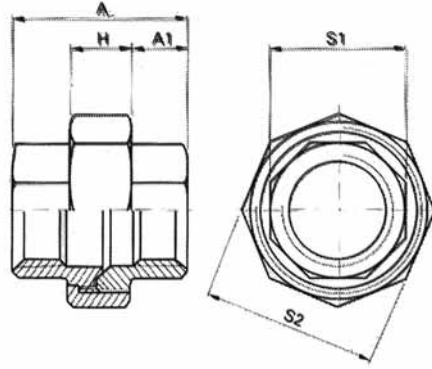


PASLANMAZ DIŞLİ KONİK RAKOR 150 Lb. (F/F)

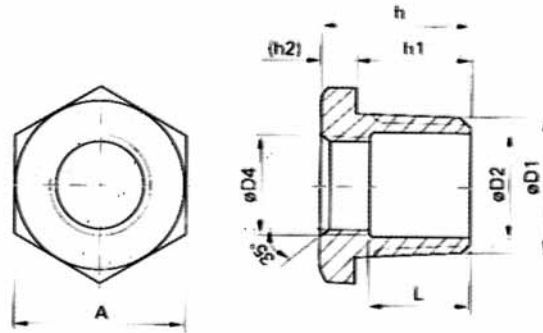
Stainless Steel Threaded Unions (BSPT - NPT)



SIZE SPEC.	1/8"	1/4"	3/8"	1/2"	3/4"	1"	1 1/4"	1 1/2"	2"	2 1/2"	3"	4"
A+1.5	37	37	39	41	42	51	52	56	60	75	89	99
A1±0.5	12	12	12	13	16	17	16	18	18	26	30	32
H±0.5	15	15	16	15	16	18	21	22	25	25	29	34
S1±1.0	18	18	23	27	32	41	50	56	69	85	99	125
S2±1.0	29	29	36	41	49	58	68	77	92	109	125	156

PASLANMAZ ALTI KÖŞE ANAHTAR AĞIZLI BUSHING REDÜKSİYON

Stainless Steel Hex Bushings



SIZE SPEC.	1/4"x1/8"	3/8"x1/8"	3/8"x1/4"	1/2"x1/8"	1/2"x1/4"	1/2"x3/8"	3/4"x1/8"	3/4"x1/4"	3/4"x3/8"	3/4"x1/2"	1"x1/8"	1"x1/4"	1"x3/8"	1"x1/2"	1"x3/4"
A	17.0	22.0	22.0	26.0	26.0	26.0	32.0	32.0	32.0	32.0	38.0	38.0	38.0	38.0	38.0
L	15.0	15.0	-	17.0	17.0	-	17.5	17.5	17.5	-	24.5	24.5	24.5	22.0	20.5
D1	1/4"	3/8"	3/8"	1/2"	1/2"	1/2"	3/4"	3/4"	3/4"	3/4"	1"	1"	1"	1"	1"
D2	8.5	11.0	11.0	14.5	14.5	14.5	18.0	18.0	18.0	18.0	26.0	26.0	26.0	26.0	26.0
D4	1/8"	1/8"	1/4"	1/8"	1/4"	3/8"	1/8"	1/4"	3/8"	1/2"	1/8"	1/4"	3/8"	1/2"	3/4"
h	22.5	23.0	23.0	25.5	25.5	25.5	26.5	26.5	26.5	26.5	33.5	33.5	33.5	33.5	33.5
h1	17.0	17.0	17.0	20.0	20.0	20.0	20.0	20.0	20.0	20.0	25.5	25.5	25.5	25.5	25.5
(h2)	5.5	6.0	6.0	5.5	5.5	5.5	6.5	6.5	6.5	6.5	8.0	8.0	8.0	8.0	8.0