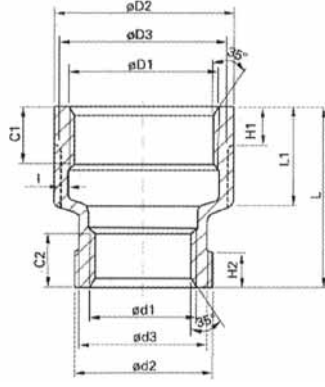


PASLANMAZ REDÜKSİYON MANŞON / KAPLİN BSPT - NPT

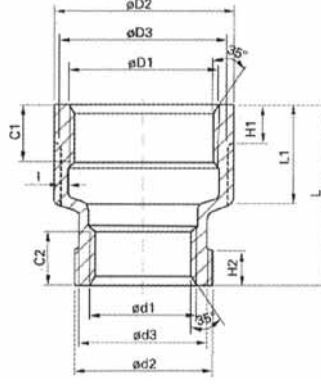
Stainless Steel Reducing Couplings



SIZE SPEC.	1/4"x1/8"	3/8"x1/8"	3/8"x1/4"	1/2"x1/8"	1/2"x1/4"	1/2"x3/8"	3/4"x1/8"	3/4"x1/4"	3/4"x3/8"	3/4"x1/2"	1"x1/8"	1"x1/4"	1"x3/8"	1"x1/2"	1"x3/4"
D1	1/4"	3/8"	3/8"	1/2"	1/2"	1/2"	3/4"	3/4"	3/4"	3/4"	1"	1"	1"	1"	1"
D2	20.0	25.5	25.5	30.5	30.0	30.0	36.0	36.0	36.0	36.0	45.0	45.0	45.0	45.0	45.0
D3	18.0	23.0	23.0	28.0	28.0	28.0	33.0	33.0	33.0	33.0	42.0	42.0	42.0	42.0	42.0
C1	6.2	9.4	9.7	10.0	10.0	10.0	10.0	10.0	10.0	10.0	14.0	14.0	14.0	14.0	14.0
H1	6.0	7.0	7.0	8.0	8.0	8.0	9.0	9.0	9.0	9.0	9.0	11.0	11.0	11.0	11.0
d1	1/8"	1/8"	1/4"	1/8"	1/4"	3/8"	1/8"	1/4"	3/8"	1/2"	1/8"	1/4"	3/8"	1/2"	3/4"
d2	16.0	16.0	20.0	16.0	20.0	25.5	16.0	20.0	25.5	30.0	16.0	20.0	25.5	30.0	36.0
d3	14.0	14.0	18.0	14.0	18.0	23.0	14.0	18.0	23.0	28.0	14.0	18.0	23.0	28.0	33.0
C2	11.0	12.0	13.0	9.0	15.0	10.0	13.0	11.0	15.0	15.0	12.0	12.0	13.0	14.0	17.0
H2	6.0	6.0	6.0	7.0	6.0	7.0	7.0	7.0	7.0	8.0	7.0	7.0	7.0	8.0	11.0
L1	16.0	23.0	23.0	24.0	24.0	24.0	22.0	25.0	25.0	25.0	26.0	28.0	28.0	28.0	28.0
L	28.5	41.0	41.0	45.0	45.0	45.0	45.0	45.0	45.0	45.0	50.0	50.0	50.0	50.0	50.0
I	3.0	3.0	3.0	2.5	2.5	2.5	3.0	3.0	3.0	3.0	3.0	3.0	3.0	3.0	3.0

PASLANMAZ REDÜKSİYON MANŞON / KAPLİN BSPT - NPT

Stainless Steel Reducing Couplings

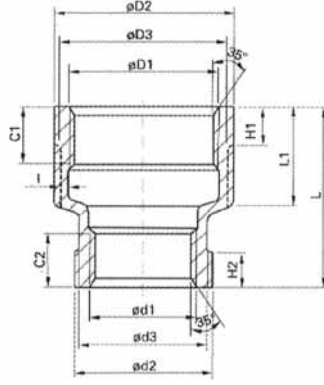


SIZE SPEC.	1 1/4"x1/4"	1 1/4"x3/8"	1 1/4"x1/2"	1 1/4"x3/4"	1 1/4"x1"	1 1/2"x1/4"	1 1/2"x3/8"	1 1/2"x1/2"	1 1/2"x3/4"
D1	1 1/4"	1 1/4"	1 1/4"	1 1/4"	1 1/4"	1 1/2"	1 1/2"	1 1/2"	1 1/2"
D2	53.0	53.0	53.0	53.0	53.0	60.0	60.0	60.0	60.0
D3	50.0	50.0	50.0	50.0	50.0	56.5	56.5	56.5	56.5
C1	18.0	18.0	18.0	18.0	18.0	18.0	18.0	18.0	18.0
H1	11.0	11.0	11.0	12.0	12.0	12.0	12.0	12.0	12.0
d1	1/4"	3/8"	1/2"	3/4"	1"	1/4"	3/8"	1/2"	3/4"
d2	20.0	25.5	30.0	36.0	45.0	20.0	25.5	30.0	36.0
d3	18.0	23.0	28.0	33.0	41.0	18.0	23.0	28.0	33.0
C2	15.0	12.0	13.0	13.0	18.0	18.0	18.0	17.0	19.0
H2	6.0	8.0	10.0	10.0	11.0	6.0	8.0	9.0	10.0
L1	29.0	29.0	29.0	29.0	29.0	31.0	31.0	31.0	31.0
L	50.0	50.0	50.0	50.0	50.0	57.0	57.0	57.0	57.0
I	3.5	3.5	3.5	3.5	3.5	3.5	3.5	3.5	3.5

SIZE SPEC.	1 1/2"x1"	1 1/2"x1 1/4"	2"x1/4"	2"x3/8"	2"x1/2"	2"x3/4"	2"x1"	2"x1 1/4"	2"x1 1/2"
D1	38.1	38.1	50.8	50.8	50.8	50.8	50.8	50.8	50.8
D2	60.0	60.0	74.0	74.0	74.0	74.0	74.0	74.0	74.0
D3	56.5	56.5	70.0	70.0	70.0	70.0	70.0	70.0	70.0
C1	18.0	18.0	18.0	18.0	18.0	18.0	18.0	18.0	18.0
H1	12.0	12.0	13.0	13.0	13.0	13.0	13.0	13.0	13.0
d1	1"	1 1/4"	1/4"	3/8"	1/2"	3/4"	1"	1 1/4"	1 1/2"
d2	45.0	53.0	20.0	25.5	30.0	36.0	45.0	53.0	60.0
d3	41.0	50.0	18.0	23.0	28.0	33.0	41.0	50.0	56.5
C2	17.0	20.0	16.0	13.0	15.0	15.0	17.0	18.0	20.0
H2	11.0	12.0	5.0	8.0	9.0	10.0	11.0	12.0	12.0
L1	31.0	31.0	38.0	38.0	38.0	38.0	38.0	38.0	38.0
L	57.0	57.0	67.0	67.0	67.0	67.0	67.0	67.0	67.0
I	3.5	3.5	4.0	4.0	4.0	4.0	4.0	4.0	4.0

PASLANMAZ REDÜKSİYON MANŞON / KAPLİN BSPT - NPT

Stainless Steel Reducing Couplings



SIZE SPEC.	2 1/2"x3/4"	2 1/2"x1"	2 1/2"x1 1/4"	2 1/2"x1 1/2"	2 1/2"x2"	3"x1/2"	3"x3/4"	3"x1"	3"x1 1/4"
D1	2 1/2"	2 1/2"	2 1/2"	2 1/2"	2 1/2"	-	3"	3"	3"
D2	90.0	90.0	90.0	90.0	90.0	-	109.0	190.0	190.0
D3	86.0	86.0	86.0	86.0	86.0	-	104.0	104.0	104.0
C1	23.0	23.0	23.0	23.0	23.0	-	24.0	24.0	24.0
H1	14.0	14.0	14.0	14.0	14.0	-	15.0	15.0	15.0
d1	3/4"	1"	1 1/4"	1 1/2"	2"	-	3/4"	1"	1 1/4"
d2	36.0	45.0	53.0	60.0	74.0	-	36.0	45.0	53.0
d3	33.0	41.0	50.0	56.5	70.0	-	33.0	41.5	50.0
C2	19.0	19.0	22.0	23.0	22.0	-	14.0	16.0	19.0
H2	9.0	11.0	12.0	12.0	14.0	-	10.0	11.0	12.0
L1	43.0	43.0	43.0	43.0	43.0	-	49.0	49.0	49.0
L	76.0	76.0	76.0	76.0	76.0	-	85.0	84.0	84.0
I	6.5	6.5	6.5	6.5	6.5	-	6.5	6.5	6.5

SIZE SPEC.	3"x1 1/2"	3"x2"	3"x2 1/2"	4"x1"	4"x1 1/4"	4"x1 1/2"	4"x2"	4"x2 1/2"	4"x3"
D1	3"	3"	3"	4"	4"	4"	4"	4"	4"
D2	109.0	109.0	109.0	138.0	138.0	138.0	138.0	138.0	138.0
D3	104.0	104.0	104.0	132.0	132.0	132.0	132.0	132.0	132.0
C1	24.0	24.0	24.0	25.0	25.0	25.0	25.0	25.0	25.0
H1	15.0	15.0	15.0	16.0	16.0	16.0	16.0	16.0	16.0
d1	1 1/2"	2"	2 1/2"	1"	1 1/4"	1 1/2"	2"	2 1/2"	3"
d2	60.0	74.0	90.0	45.0	53.0	60.0	74.0	90.0	109.0
d3	56.5	70.0	86.0	41.0	50.0	56.5	70.0	86.0	104.0
C2	20.0	20.0	26.0	24.0	22.0	24.0	24.0	29.0	25.0
H2	13.0	13.0	14.0	11.0	12.0	13.0	14.0	15.0	16.0
L1	49.0	43.0	49.0	55.0	53.0	53.0	53.0	53.0	55.0
L	85.0	79.0	83.0	97.0	95.0	95.0	97.0	96.0	98.0
I	6.5	6.5	6.5	6.5	6.5	6.5	6.5	6.5	6.5